

# DH-PFB2213C

## Ceiling Mount Bracket



- Built of aluminum alloy, it is cost-effective.
- Elegantly designed, it has internal wiring and is compatible with the lightweight bullet camera.
- It can be scaled from 800 to 1500 mm.



### System Overview

Dahua Mounting Bracket works with front-end services, supporting installation methods such as wall mount, pole mount, corner mount and in-ceiling mount. Select brackets are designed to suit complex scenes, making them convenient to use in environments with high temperatures, humidity, frequent vibrations, and in locations that are highly corrosive. These highly reliable brackets are easy to install and use.

### Scene

Ideal for mounting cameras, and works in temperatures ranging from  $-40\text{ }^{\circ}\text{C}$  to  $+60\text{ }^{\circ}\text{C}$  ( $-40\text{ }^{\circ}\text{F}$  to  $+140\text{ }^{\circ}\text{F}$ ) and in environments with a relative humidity of less than 90%.

### Technical Specification

#### Structure

Casing Material	Aluminum alloy
Product Dimensions	$\Phi 100.0\text{ mm} \times 800.0\text{ mm} - \Phi 100.0\text{ mm} \times 1500.0\text{ mm}$ ( $\Phi 3.94" \times 32.09" - \Phi 3.94" \times 59.06"$ )
Appearance Color	White
Net Weight	0.42 kg (0.93 lb)
Gross Weight	0.63 kg (1.39 lb)
Load Bearing	1.0 kg (2.20 lb)
Installation	Ceiling mount
Screw Thread Type	1/4-20-UNC
Applicable Model	Please see "Camera Accessories Selection"
Packaging Dimensions	$125.0\text{ mm} \times 125.0\text{ mm} \times 820.0\text{ mm}$ ( $4.92" \times 4.92" \times 32.28"$ ) (L x W x H)

#### Environment

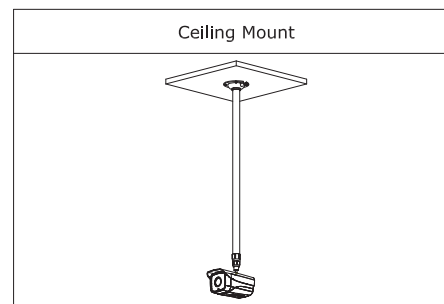
Operating Temperature	$-40\text{ }^{\circ}\text{C}$ to $+60\text{ }^{\circ}\text{C}$ ( $-40\text{ }^{\circ}\text{F}$ to $+140\text{ }^{\circ}\text{F}$ )
-----------------------	--

Operating Humidity	< 90% (RH)
Storage Temperature	$-40\text{ }^{\circ}\text{C}$ to $+60\text{ }^{\circ}\text{C}$ ( $-40\text{ }^{\circ}\text{F}$ to $+140\text{ }^{\circ}\text{F}$ )
Storage Humidity	10%–90% (RH)
Anti-corrosion Level	Basic Protection

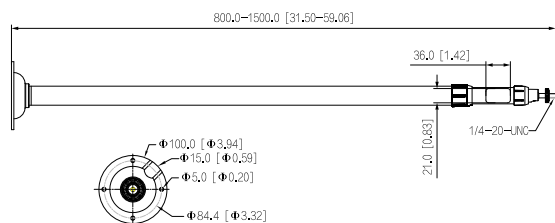
### Ordering Information

Type	Model	Description
Camera Mount	DH-PFB2213C	Ceiling Mount Bracket
	PFB2213C	Ceiling Mount Bracket

### Installation



## Dimensions (mm[inch])



## Package Information

- Ceiling mount bracket × 1
- ST4×25 screws × 4
- Plastic expansion bolt × 4
- Mounting Sticker × 1